

Aqua-4D® Command 30E

- Art. n° 80110 : Programming for villa, efficient against limestone and corrosion
- Art. n° 80111 : Programming for livestock, efficient against biofilm
- Can control 1 Tube 60F
- Flow rate from 0 to 30 L/min (1.8 m³/h)

Technical Data

| Mechanical construction | |
|-----------------------------------|--|
| Dimensions without support feet | L x W x H : 160 x 125 x 91 mm |
| Dimensions including support feet | L x W x H : 184 x 125 x 99 mm |
| Weight | 0.6 kg |
| Control unit material | Polycarbonate |
| Front material | Polycarbonate |
| Tube connector | Binder Series 423, 4 poles, female |
| Power supply | |
| Voltage | 110 ... 240 V AC, 47 ... 63 Hz |
| Power consumption | 9 W |
| Ambient conditions | |
| Index of protection | IP 53 |
| Ambient temperature | 0 ... 40 [°C] |
| Storage temperature | -25 ... 65 [°C] |
| Electromagnetic compatibility | Emissivity and immunity in accordance with IEC 61000-6-1 and IEC 61000-6-3 |
| Protection from overvoltage | In accordance with IEC 61000-4-5 |
| Relative humidity | 0 ... 95 %, without condensation |

Efficiency and reliability

Aqua-4D® water treatment systems have been proving their efficiency for more than 10 years. The latest generation improves the reliability of the systems and the efficiency of the treatment.

Modular

Thanks to the modular concept, Aqua-4D® systems adapt themselves to all type of installations as well as all flow rates.

Eco-friendly

Aqua-4D® Serie E is a patented technology of electromagnetic water treatment. The treatment is ecological as it does not use any chemical product and does not change the chemical composition of the water.



Associated modules and accessories



Tube 60F

Tube for Command 30E. Assembled directly onto the pipes, the Tube 60E is used to transmit electromagnetic signals into the water using 2 solenoids.

Art. n° 82020



Extensions for Tubes 60E/F

When the Command 30E is placed at over a metre from the Tube 60F, an extension is required.

Art. n° 83200 Length 5m

Art. n° 83201 Length 10m

Art. n° 83202 Length 15m

Standard Packages

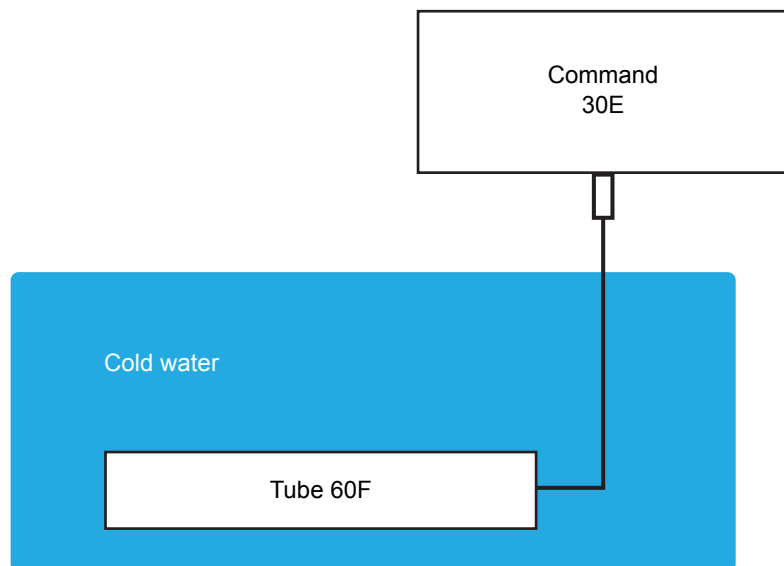
| Packages | Max. L/min | Max. m³/h | Command | Tube | Y |
|--------------|------------|-----------|-----------------|--------------|---|
| Aqua-4D® 30E | 30 | 1.8 | 1 x Command 30E | 1 x Tube 60F | |

Example of an installation

Villa, domestic cold water treatment.

1 x Command 30E

1 x Tube 60F



Notes

Contact